

LP1

# GMS Certified 15.6" POS

 LYNXTILL

Stylish Design | Android 14 | Octa-Core 2.2GHz | NFC | AI NPU 6 TOPS

15.6" + 10.1" Dual Screen

10-Point Touch

SoftPOS Compliant

All Aluminum Body



## KEY SPECIFICATIONS

HD

**15.6" FHD**

Main Display 1920x1080

AI

**6 TOPS NPU**

Neural Processing Unit

OS

**Android 14**

GMS Certified

W

**Wi-Fi 6 + BT5.4**

Dual-band 2.4G & 5G

N

**NFC Built-in**

ISO 14443A/B, FeliCa, MIFARE

8C

**Octa-Core**

2.2 GHz, 4GB RAM, 64GB

## DISPLAY

	Main Screen (15.6")	Secondary Screen (10.1")
<b>Touch</b>	10-point G+G Capacitive	No touch
<b>Aspect Ratio</b>	16:9	16:10
<b>Resolution</b>	1920 x 1080 (FHD)	1280 x 800
<b>Display Area</b>	344.2 x 193.5 mm	216.6 x 135.4 mm
<b>Contrast</b>	800:1	800:1
<b>Color</b>	16.7M, 45% NTSC	16.7M
<b>View Angle</b>	85/85/85/85 (Typ.) CR>=10	85/85/85/85 (Typ.) CR>=10

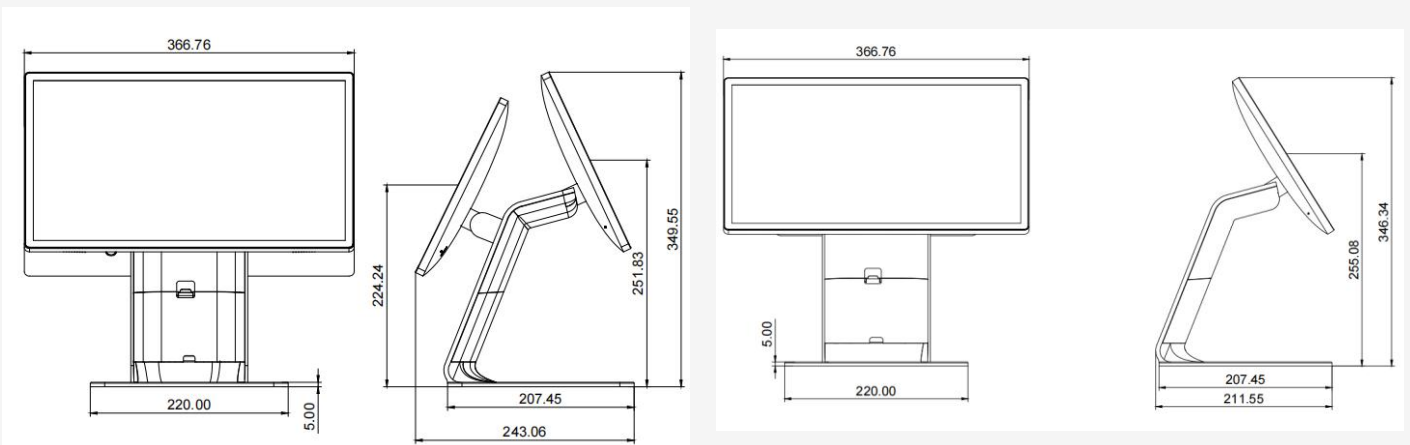
## SYSTEM

<b>CPU</b>	Octa-core, 2.2 GHz
<b>GPU</b>	ARM Mali G52 MC3
<b>NPU</b>	6 TOPS AI Capability
<b>RAM / Storage</b>	4 GB / 64 GB
<b>I/O Ports</b>	1x DC, 5x USB, 1x RJ45, 1x RJ11 (Serial)
<b>Network</b>	LAN 10/100M   Wi-Fi 2.4G & 5G 802.11 b/g/n/ac/ax   BT 5.4
<b>OS</b>	Android 14 (GMS Certified)
<b>Speaker</b>	Built-in 2W
<b>NFC</b>	ISO 14443A/B, FeliCa, MIFARE 1K/4K, NFCIP-1/2, ISO 15693, NFC Forum T1T-T5T

## PHYSICAL & ENVIRONMENT

<b>Input / Power</b>	DC 12V / 15W
<b>Dimensions</b>	367 x 243 x 346 mm
<b>Weight</b>	4.7 kg
<b>Material</b>	All aluminum oxidized body with ABS cover
<b>Color</b>	Storm Gray
<b>Packing Size</b>	460 x 280 x 470 mm
<b>Operating Env.</b>	0 ~ 45 C / Humidity 20% - 80%
<b>Storage Env.</b>	-10 ~ 50 C / Humidity 20% - 80%

## DIMENSIONS (mm)



With Secondary Display

Without Secondary Display